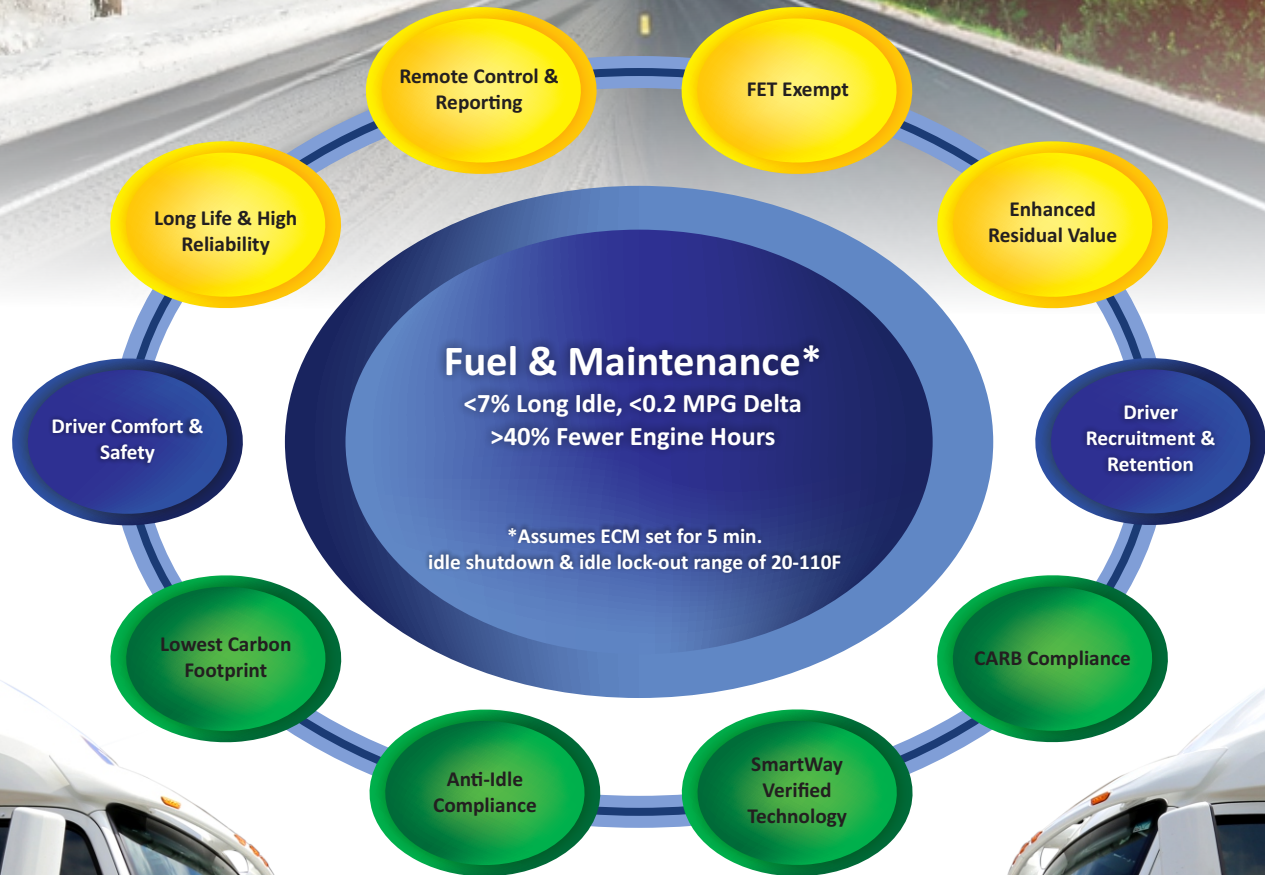


DClimate

DEDICATED TO CHANGING THE WAY YOU THINK ABOUT APUs!

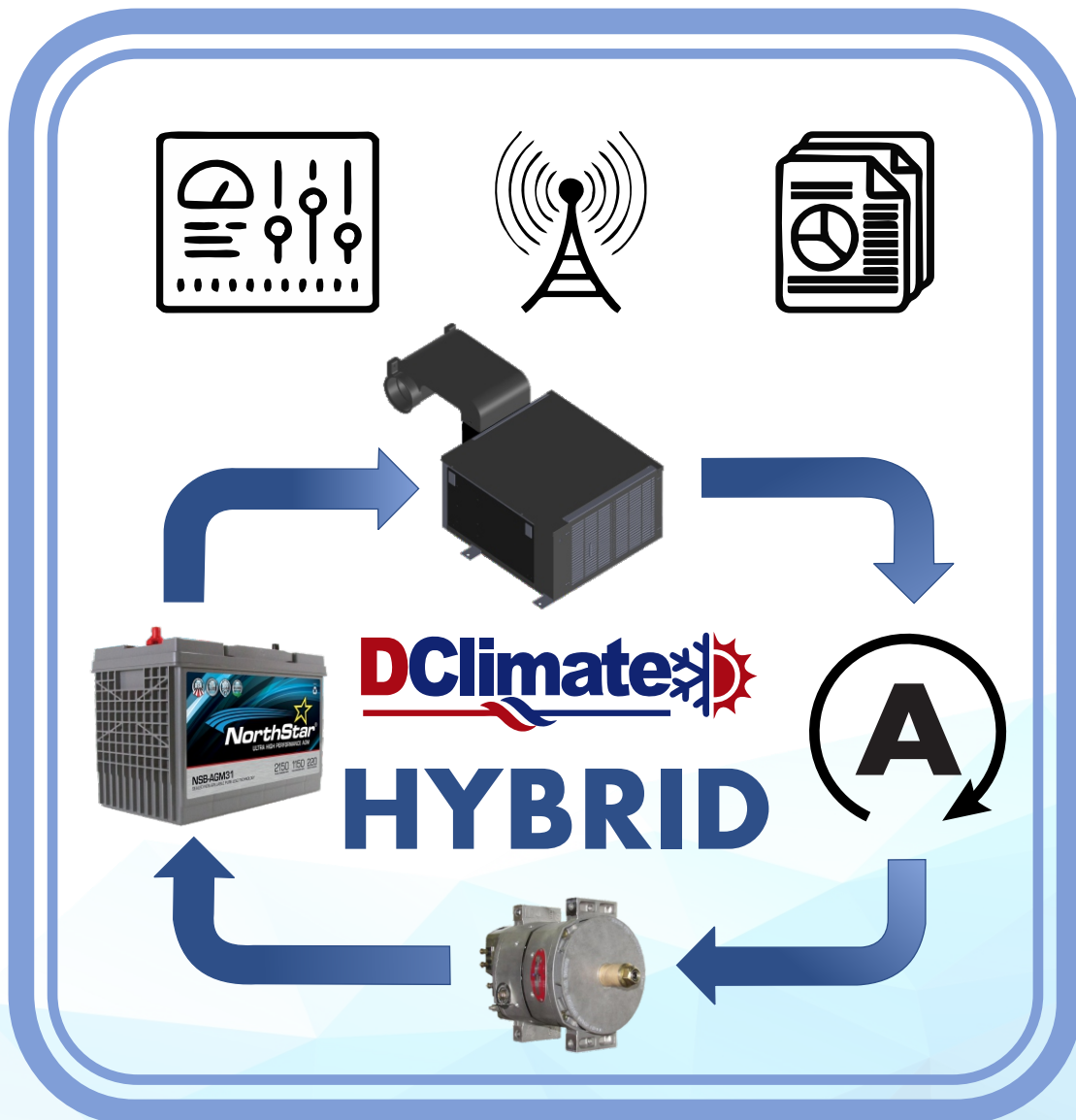


THE INDUSTRY'S 1ST TRUE HYBRID APU SOLUTION . . .

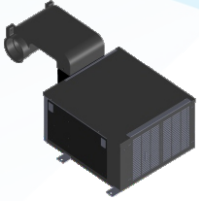
DELIVERING WHAT'S IMPORTANT TO YOU!

Our patented hybrid APU solutions deliver . . .

- > Best MPG Performance
- > Lowest Total Cost of Ownership
- > Remote Control & Monitoring
- > Highest Levels of Driver Satisfaction
- > Most Environmentally Friendly Solution
- > Fleet Level Idle Data and Health Reporting

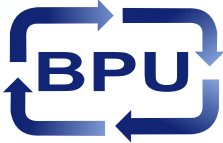


DELIVERING THE INDUSTRY'S BEST VALUE PROPOSITION . . .



UNDER BUNK UNIT

- 48V electric AC & diesel fired heater delivers the industry's most energy efficient HVAC solution.
- All major components selected for efficiency, long-life (>25,000hrs) & reliability.
- Delivers unmatched air-flow (400CFM) through seamlessly integrated ducts.
- All electronics located within the unit, providing an ideal environment for long life and reliability.



BATTERY MANAGEMENT (BPU)

- Patented BPU system enables true hybrid functionality, delivering continuous unlimited availability.
- Facilitates rapid charging (minimizing idle times) and balanced discharge profile.
- System uses all 8 batteries providing 5.7kw of available power per cycle, delivering industry leading runtime.



HIGH EFFICIENCY ALTERNATOR

- 320 amp brushless alternator.
- Selected for high efficiency, long-life and high output over wide RPM range.
- Combines with battery management system (BPU) to ensure rapid charging at idle.



HIGH PERFORMANCE BATTERIES

- High performance Northstar AGM Type 31 batteries.
- Deep discharge protection & rapid recharge system protect battery health and truck starting capability.
- 8 battery system enables unique 4 yr. DClimate application specific warranty.



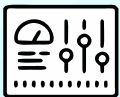
AUTO-START

- Proprietary solution, DClimate/Idle Smart partnership agreement.
- Supports continuous uninterrupted APU availability.
- Automatically arms, removing burden from driver and delivering consistent functionality across all truck brands.
- Activates only in extreme load conditions or extended reset periods, minimizing idle time and maximizing MPG.
- Protects battery health and truck starting capability under all environmental conditions.



TELEMATIC COMMUNICATION LINK

- No monthly charges for life of truck, original owner.
- Over the air updates & parameter changes.
- Enables remote control, monitoring and automated reporting at truck and fleet level.
- Exception based system health alerts enable proactive management of system uptime.



REMOTE CONTROL AND MONITORING

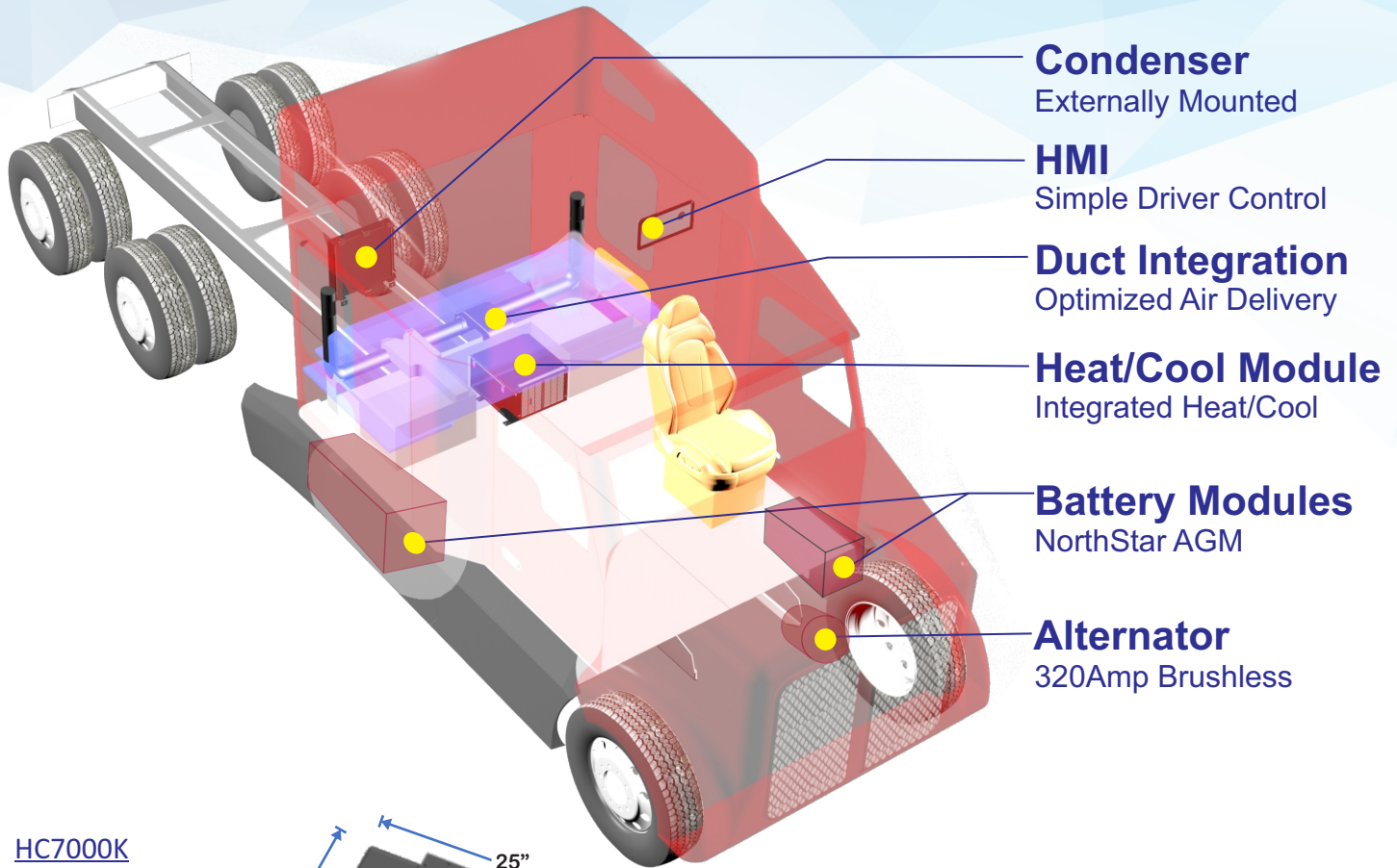
- Over the air control of operational parameters for HVAC and Auto-Start systems.
- Control capability at individual truck, truck groupings or fleet levels.
- Constant monitoring of key system health indicators with customizable exception based alert



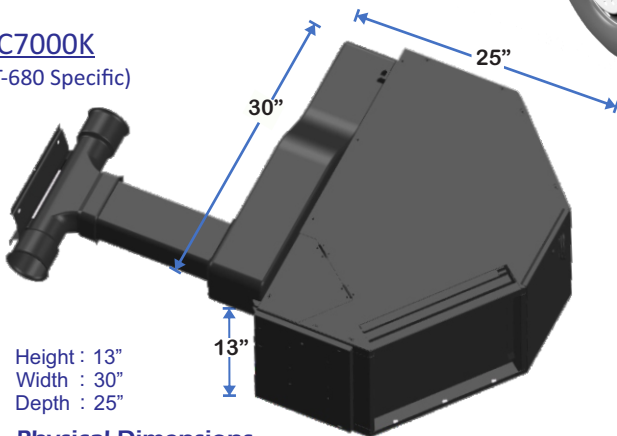
AUTOMATED PERFORMANCE REPORTING

- Idle percentage reporting at individual and fleet levels.
- Categorization of start events; battery voltage, ambient temperature etc.

SEAMLESS INTEGRATION . . .



HC7000K
(KW T-680 Specific)



Height : 13"
Width : 30"
Depth : 25"

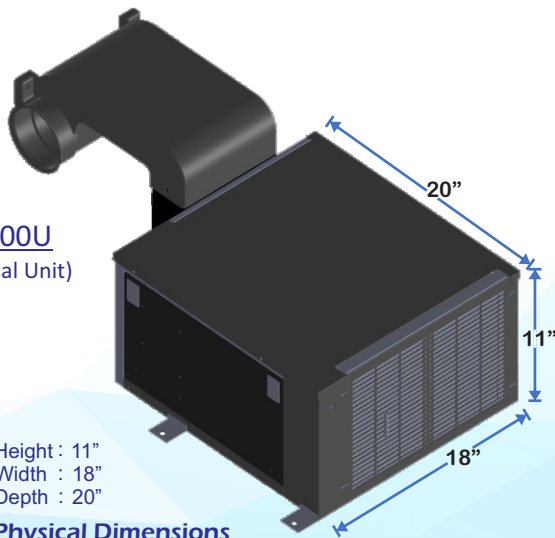
Physical Dimensions

Technical Specifications ...

- 7000 BTU/hr (2.1 kW), cooling capacity
- 7000 BTU/hr (2.1 kW), heating capacity
- 400 CFM, airflow
- +/- 2F Temperature control
- 4-60 Amps @ 12Vdc
- 48Vdc variable speed compressor
- 320 Amp Delco Remy brushless alternator
- Webasto 2000 ST Diesel fired air heater
- 420 lbs, system weight including batteries
- Limited Warranty
 - 1-yr parts & labor
 - 2-yr parts
 - 4-yr batteries*

* Backed by 4-yr NorthStar Limited Warranty

HC7000U
(Universal Unit)



Height : 11"
Width : 18"
Depth : 20"

Physical Dimensions